



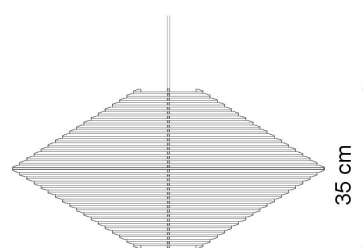
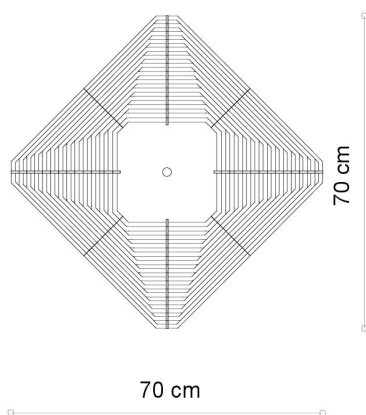
No.40 Beams

Design

No.40 Beams is a study on squares meeting lozenge. The lamp exists of 35 horizontal layers of MDF who meet at the corners from the inside out. The light spreads in between the lines. The inspiration for this horizontal light comes from the artwork 'Reading between the Lines' a 10m tall see-through church constructed from 100 stacked layers of weathered steel plates made by Gijs Van Vaerenbergh.

Designer

Alex Groot Jebbink's work expresses both his technical and creative talents developed during his mechanical engineering, interior and furniture design studies and the Master's degree programme in Interior Architecture at the Utrecht University of Applied Sciences. His designs can be recognized by the use of honest materials with their own character and clear, simple shapes. Simplicity mixed with attention to detail equals perfection.



Item no.	Model	Dimensions (cm)	EAN No.
113466	No.40 Beams by a-LEX	D70 x W70 X H35	

Bulb E27 | Max 40 Watt | Cord length 200 cm | Material MDF FSC | Environment indoors